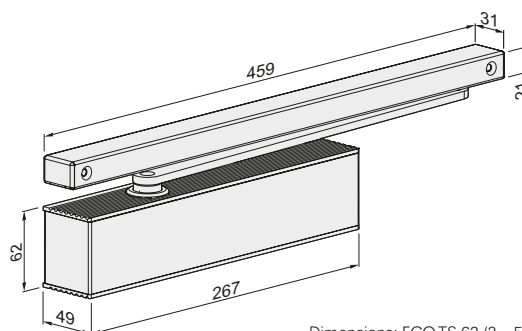


Performance criteria

Closing force (continuously adjustable)	according to EN standards	2 – 5
Door width	≤ 1,250 mm	■
Dimensions (incl. mounting plate)	Length in mm	267
	Depth in mm	49
	Height in mm	62
Mounting plate in accordance with EN 1154 (supplementary sheet 1)		■
Hinge / hinge-opposite side		□
DIN L / R		■
Latching speed (continuously adjustable)		■
Closing speed (continuously adjustable)		■
Back check (continuously adjustable)		■
Delayed action (continuously adjustable)		■
Tested to EN/DIN standards		EN 1154
Fulfils specifications	DIN 18040 DIN SPEC 1104	
Suitable for fire and smoke control doors		F
Certified according to EU regulations		CE

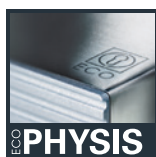


Dimensions: ECOTS-62 (2 – 5)

- Yes
- No
- Optional



ECO Newton TS-62 ■ Highlights at a glance



Details for ECO Newton highlights can be found at the beginning of this section.



Body: Silver RAL 9006
ECOcllic: Stainless steel
satin finish



Body + ECOcllic:
White RAL 9016



Body + ECOcllic:
Black RAL 9005

Slide rails and lever arms are always delivered in the same colour as the body.

Order information

ECO **Newton TS-62** ■ Slide rail closers

Product information

Closing force size 2 – 5, tested according to **EN 1154** (for door widths up to 1,250 mm), freely adjustable. Latching speed, closing speed, delayed action and front-side back-check freely adjustable. Same model for DIN L and DIN R. Depth, including mounting plate, only 49 mm. Door opening angle: 180°

- **ECOphysis**: Door closer and slide rail form a positive-fit unit in aluminium and stainless steel
- **ECOcllic**: Stainless steel cover encloses the aluminium body with the strength of spring steel, thus concealing all setting parameters safely against unauthorised access
- **ECOMount**: Mounting plate in accordance with **EN 1154** is completely covered by the door closer
- **ECOvalve**: Simple, high-precision and permanently secure adjustment of all parameters of the closing process using a standard Allen key
- **ECOgreen**: Intelligent design and carefully planned use of materials significantly help save resources.
- **ECOcover2**: Optional stainless steel cover for the ECO Newton door closer or slide rail. Order the lever arm in stainless steel for a harmonious overall appearance.
- **ECOline**: Slide rail and door closer are flush when completely installed. All materials are perfectly colour-matched – right through to the end caps on the slide rail.
- **ECOvario**: Permits the use of all slide rail door closers and can even be combined with different door leaf widths. Thus an optimum price-performance ratio can be found for every individual door situation. Can be extended with all slide rails and hold-open systems.

Applications for the ECO **Newton TS-62**

The ECO **Newton TS-62** can be used everywhere where elegant design and ease of opening are required. The closing speed, cushioning when opening, closure delay and latching speed can easily & smoothly be adjusted from the front. The closer's function can thus be ideally adjusted for the requirements of the door concerned.

The opening torque required reduces tangibly.

With its intelligent gearing design, the ECO **Newton TS-62** achieves a performance which is ideal when opening and closing, as well as being very efficient. The forces which arise when a door is opened are reduced to a minimum, without any compromises on the reliability of the door closing. For the user, this means that distinctly less torque is required to open a door in comparison to other similar door closers. This makes the ECO **Newton TS-62** the perfect problem solver for standard and special-function doors, especially for clinics, care homes, kindergartens and schools.

The ECO **Newton TS-62** complies with all European standards for the construction of accessible buildings with requirements for doors to move smoothly, with an opening torque which quickly drops and with high efficiency:

Hinge side

with / without slide rail H

ECO TS-62 EN 2-5



Closer body with lever arm and slide rail H	Colour	Art. no.	Closer body with lever arm, without slide rail	Colour	Art. no.
ECO TS-62 with GS-H	Silver RAL 9006*	5030019708	ECOTS-62	Silver RAL 9006*	5030025854
ECO TS-62 with GS-H	White RAL 9016	5030020396	ECOTS-62	White RAL 9016	5030025855
ECO TS-62 with GS-H	Black RAL 9005	5030031748	ECOTS-62	Black RAL 9005	5030064841

Opposite hinge side

with / without slide rail H

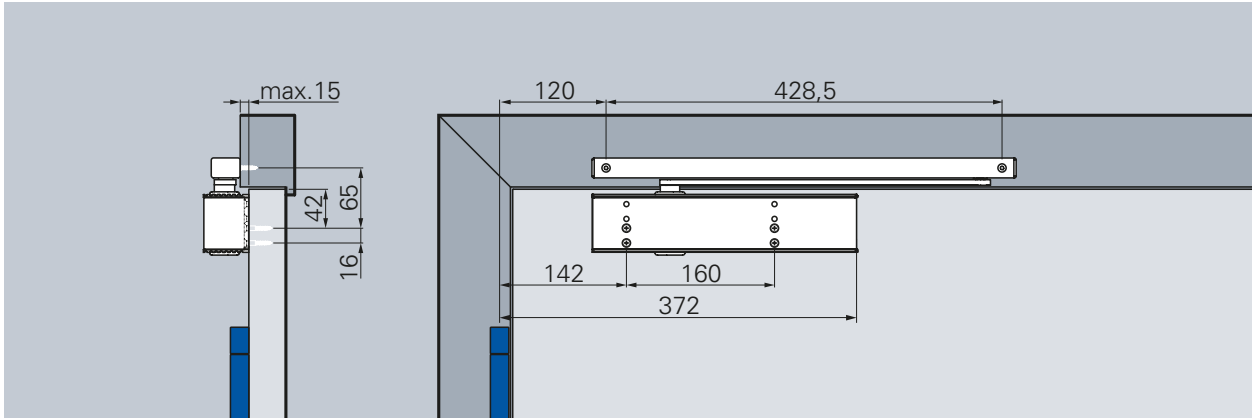
ECO TS-62 G EN 2-5



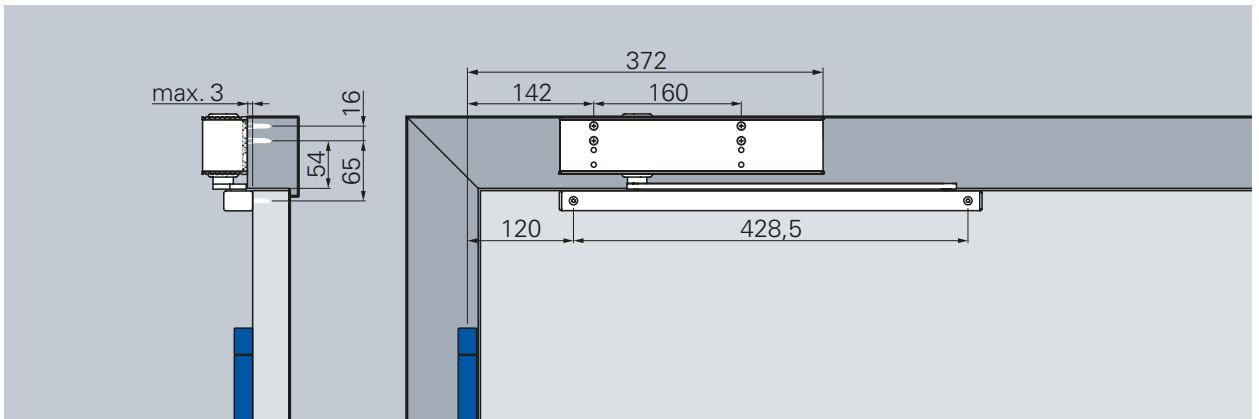
Closer body with lever arm and slide rail H	Colour	Art. no.	Closer body with lever arm, without slide rail	Colour	Art. no.
ECO TS-62 G with GS-H	Silver RAL 9006*	5030020670	ECOTS-62 G	Silver RAL 9006*	5030056402
ECO TS-62 G with GS-H	White RAL 9016	5030037819	ECOTS-62 G	White RAL 9016	5030056404
ECO TS-62 G with GS-H	Black RAL 9005	5030027934	ECOTS-62 G	Black RAL 9005	5030063680

Hinge side

Installation with slide rail H, figure DIN L door, DIN R mirrored



Standard installation ECO TS-62 with slide rail H, hinge side



Frame installation ECO TS-62 G with slide rail H, hinge side

Closing speed

Continuously adjustable closing speed from 180°–0°.

Latching speed

Increases the closing speed and thus the closing force for safe closing of the door, e.g. to overcome door seals, latches and air pressure. Continuously adjustable, active from 10° – 0°.

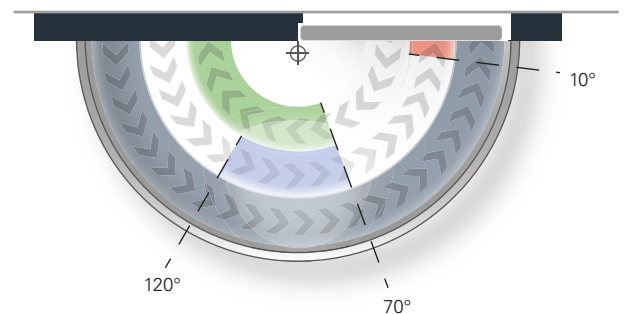
Back-check

Reduces the opening speed from 70° and thus prevents the door from slamming. Back-check freely adjustable.

Delayed action

Decreases the closing speed and thus enables safe passage for people and transports. Particularly suitable for use in nursing homes. Delayed action freely adjustable. Active from 120° – 70°.

Closing force diagram ECO Newton TS-62, hinge side



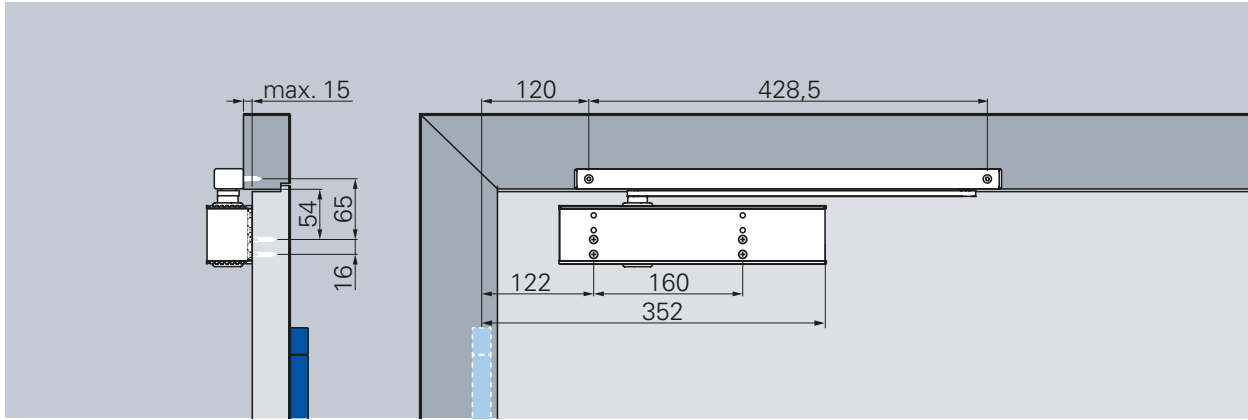
Closing force:

freely adjustable min. Size 2
 ECO TS-62 EN 2–5 max. Size 5
Delivery state: Size 3



Opposite hinge side

Installation with slide rail H, figure DIN R door, DIN L mirrored



Standard installation ECO TS-62 G with slide rail H, opposite hinge side

Closing speed

Continuously adjustable closing speed from 120°*–0°.

Latching speed

Increases the closing speed and thus the closing force for safe closing of the door, e.g. to overcome door seals, latches and air pressure. Continuously adjustable, active from 10° – 0°.

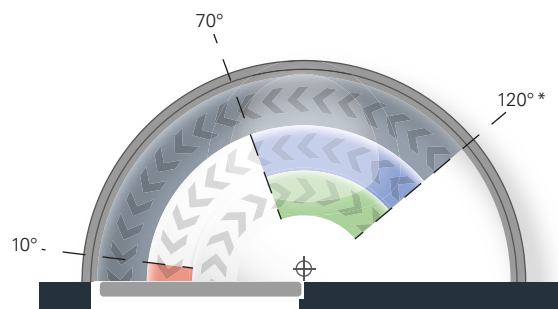
Back-check

Reduces the opening speed from 70° and thus prevents the door from slamming. Back-check freely adjustable.

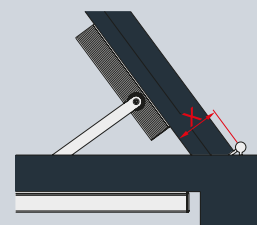
Delayed action

Decreases the closing speed and thus enables safe passage for people and transports. Particularly suitable for use in nursing homes and hospitals. Delayed action freely adjustable. Active from 120°*–70°.

Closing force diagram ECO Newton TS-62, opposite hinge side



X = max. 95 mm!



(Please consult our technical support team in the event of deviations.)

*Varies according to door thickness and hinge type.

Opening range must be limited by a door stop!

ECO Schulte GmbH & Co. KG

Iserlohner Landstraße 89

D-58706 Menden

Telephone +49 2373 9276 - 0

Telefax +49 2373 9276 - 40

info@eco-schulte.de

www.eco-schulte.de

Our compendium represents a compilation of all products from our range of services. These are subject to different delivery classes. Special variants included are often manufactured to customer specifications and sometimes require longer delivery times and minimum purchase quantities. Further advise can be given by your contact person.

■ SYSTEM TECHNOLOGY FOR THE DOOR

